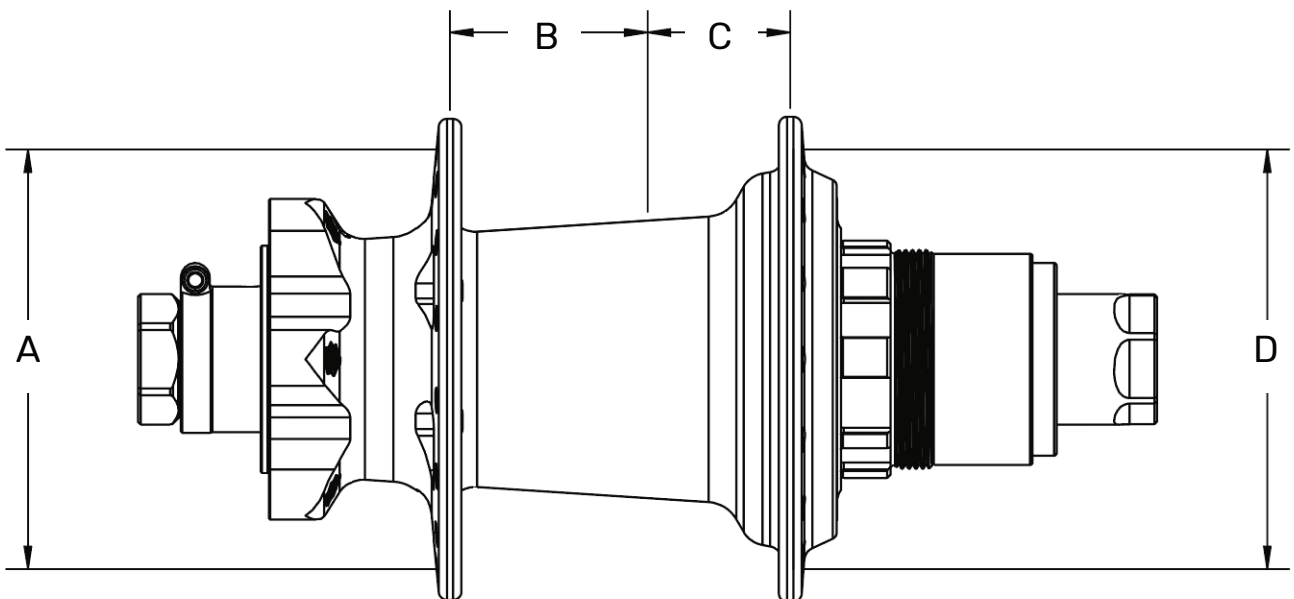


Hub Model	Hub Shell 6-bolt/Centerlock	(A) Non-drive Side Flange Ø	(B) Non-drive Side Center to Flange	(C) Drive Side Center to Flange	(D) Drive Side Flange Ø
M-PULSE FRONT	100	63	22	30	63
M-PULSE FRONT	110	63	27	35	63



Hub Model	Hub Shell 6-bolt/Centerlock	(A) Non-drive Side Flange Ø	(B) Non-drive Side Center to Flange	(C) Drive Side Center to Flange	(D) Drive Side Flange Ø
M-PULSE REAR	135/142	61	27	18.5	61
M-PULSE REAR	141/148	61	29	21	61
M-PULSE REAR	150/157	61	33.5	25.5	61